

500mA Option
Do not use VR2A if this is used



1

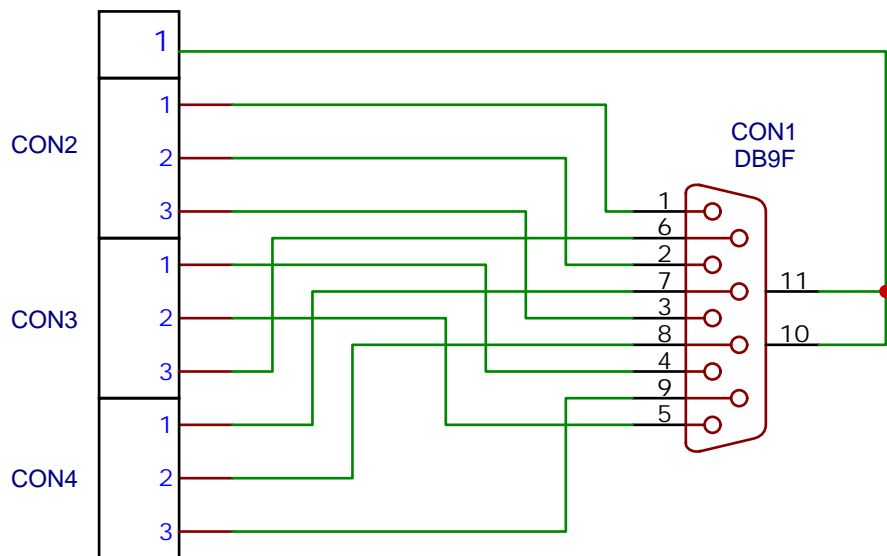
2

3

4


A

A



B

B

TITLE: DB9 break out		REV: 1.0
	Company: PCBhut.com	Sheet: 1/1
	Date: 2023-01-07	Drawn By: Jerry Komor

1

2

3

4