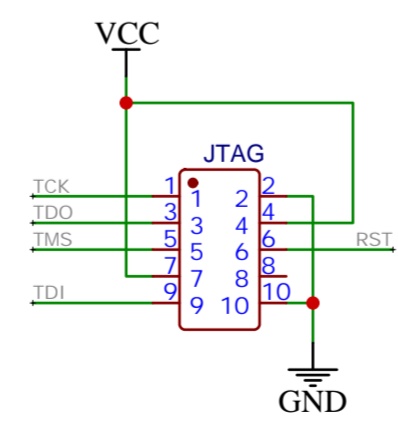


Optional
Do NOT populate

C3, C4, C5, C6 As close to pins as possible

Closed for Vcc reference



TITLE:	ATmega 2561 mini pro RC	REV:	1.0
Company:	PCBhut.com	Sheet:	1/1
Date:	2023-05-12	Drawn By:	Jerry Komor