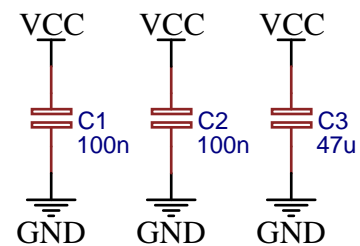
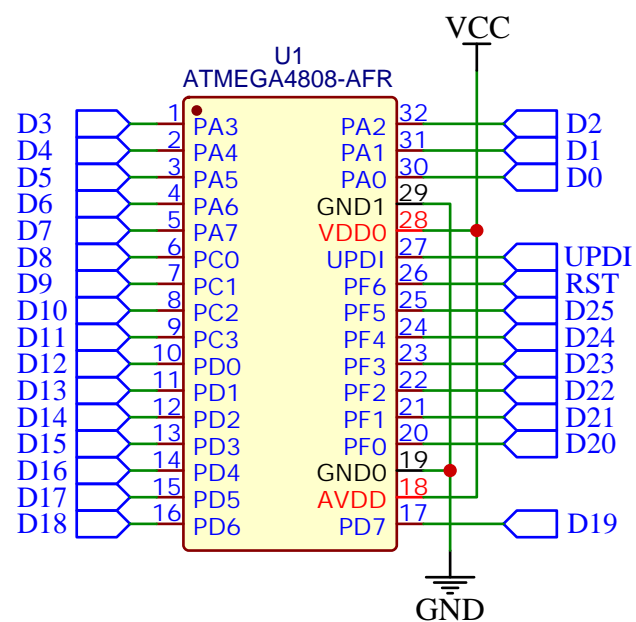
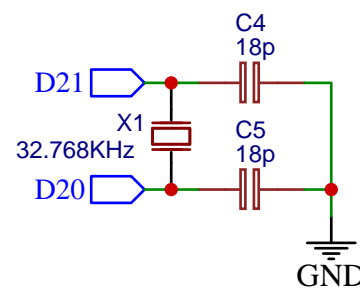


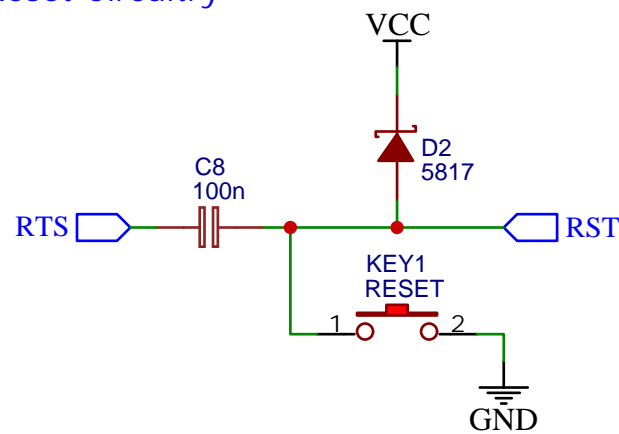
Microcontroller



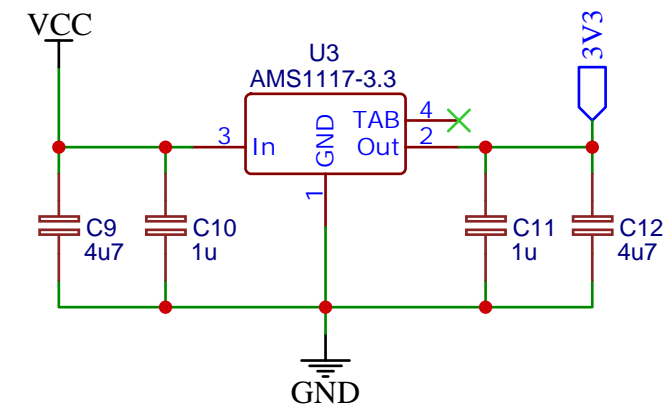
RTC Crystal (optional)



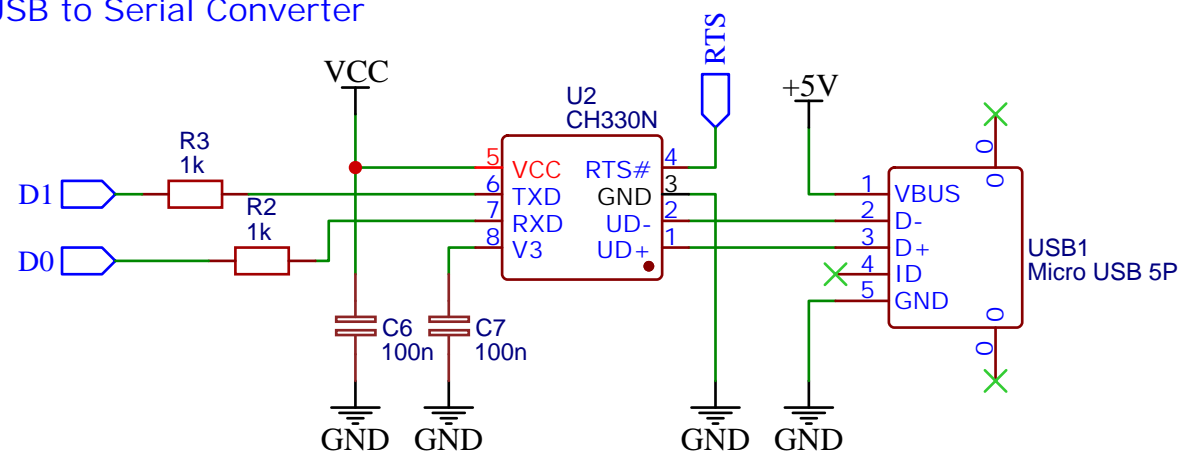
Reset Circuitry



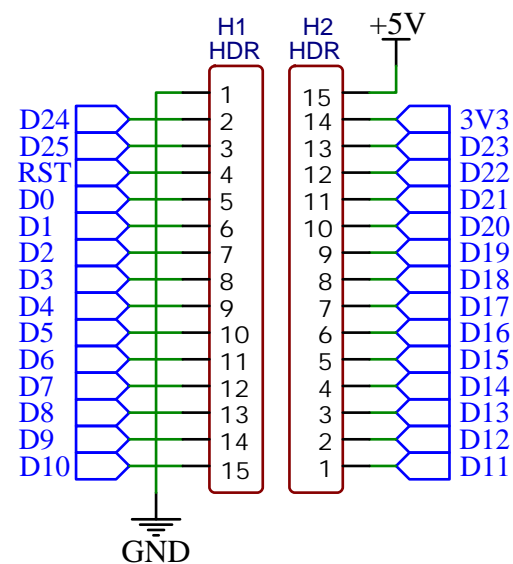
3.3V Voltage Regulator



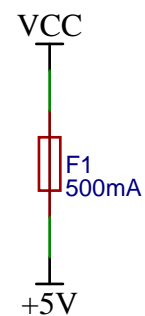
USB to Serial Converter



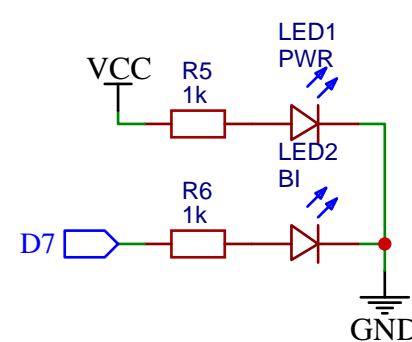
Breakout Header



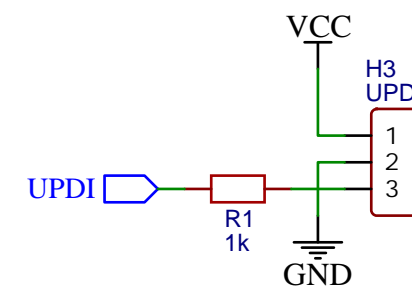
Fuse



Indicator LEDs



UPDI Programming Header



TITLE: ATmega4808 Development Board M		REV: 1.0
EasyEDA	Company: .	Sheet: 1/1
	Date: 2020-10-21	Drawn By: .