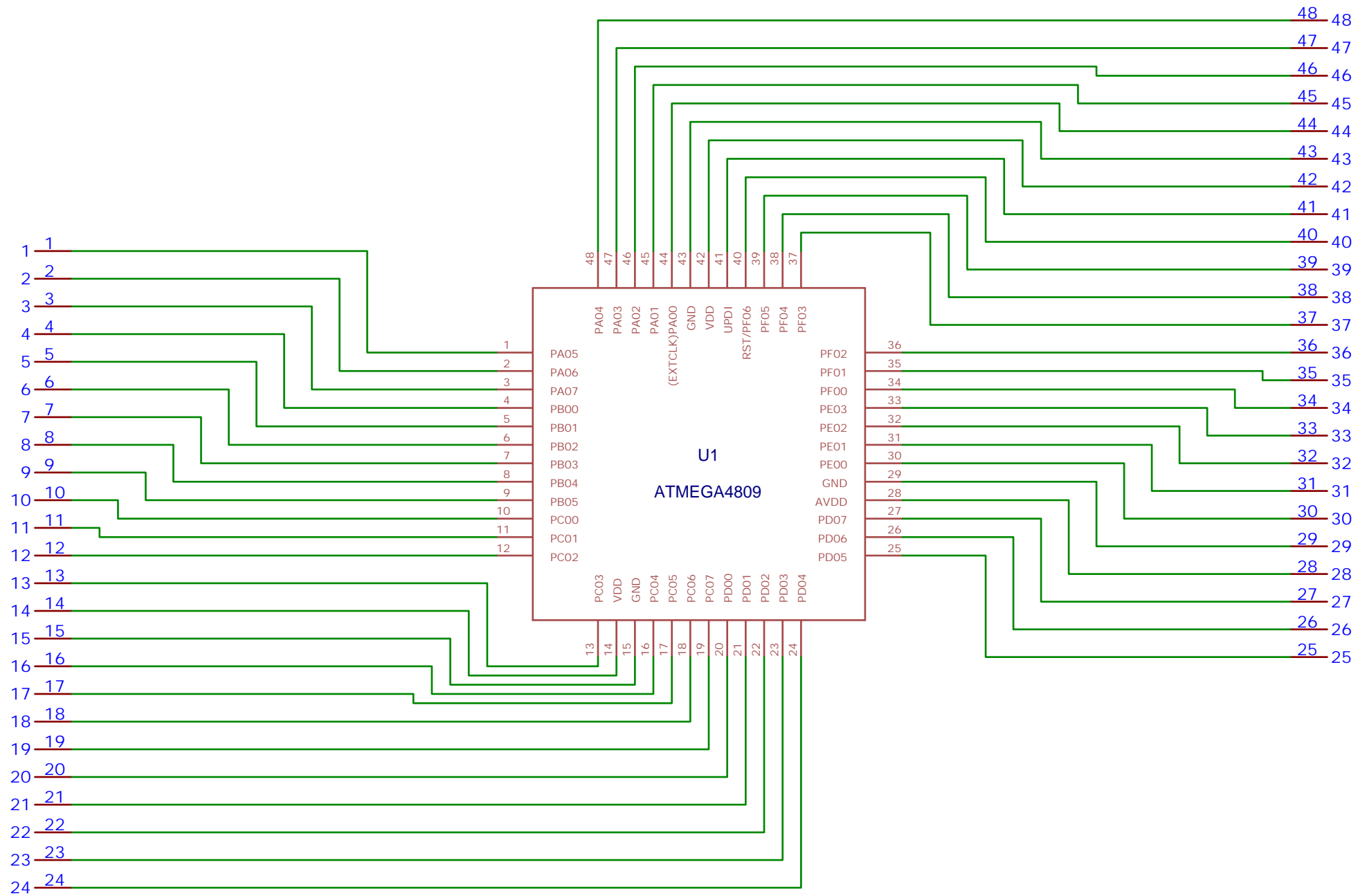



TITLE: 4809 Break-out / filters		REV: 1.0
EasyEDA	Company: PCBhut.com	Sheet: 1/1
	Date: 2020-09-15	Drawn By: jerry.komor



TITLE: 4809 Break-out / CPU		REV: 1.0
	Company: PCBhut.com	Sheet: 1/1
	Date: 2023-02-18	Drawn By: Jerry Komor