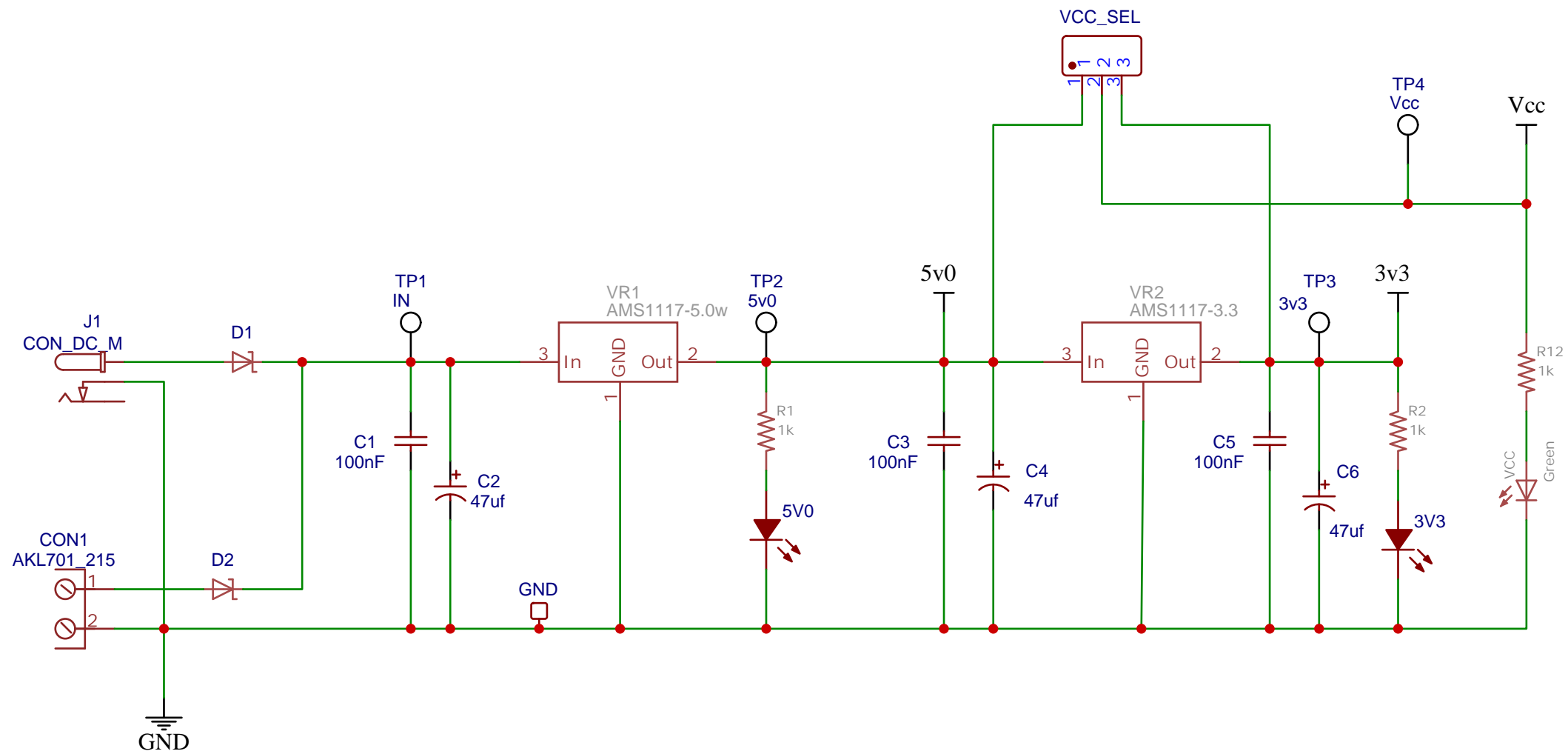
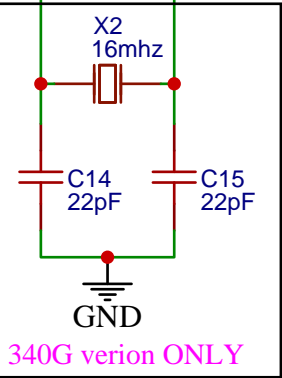
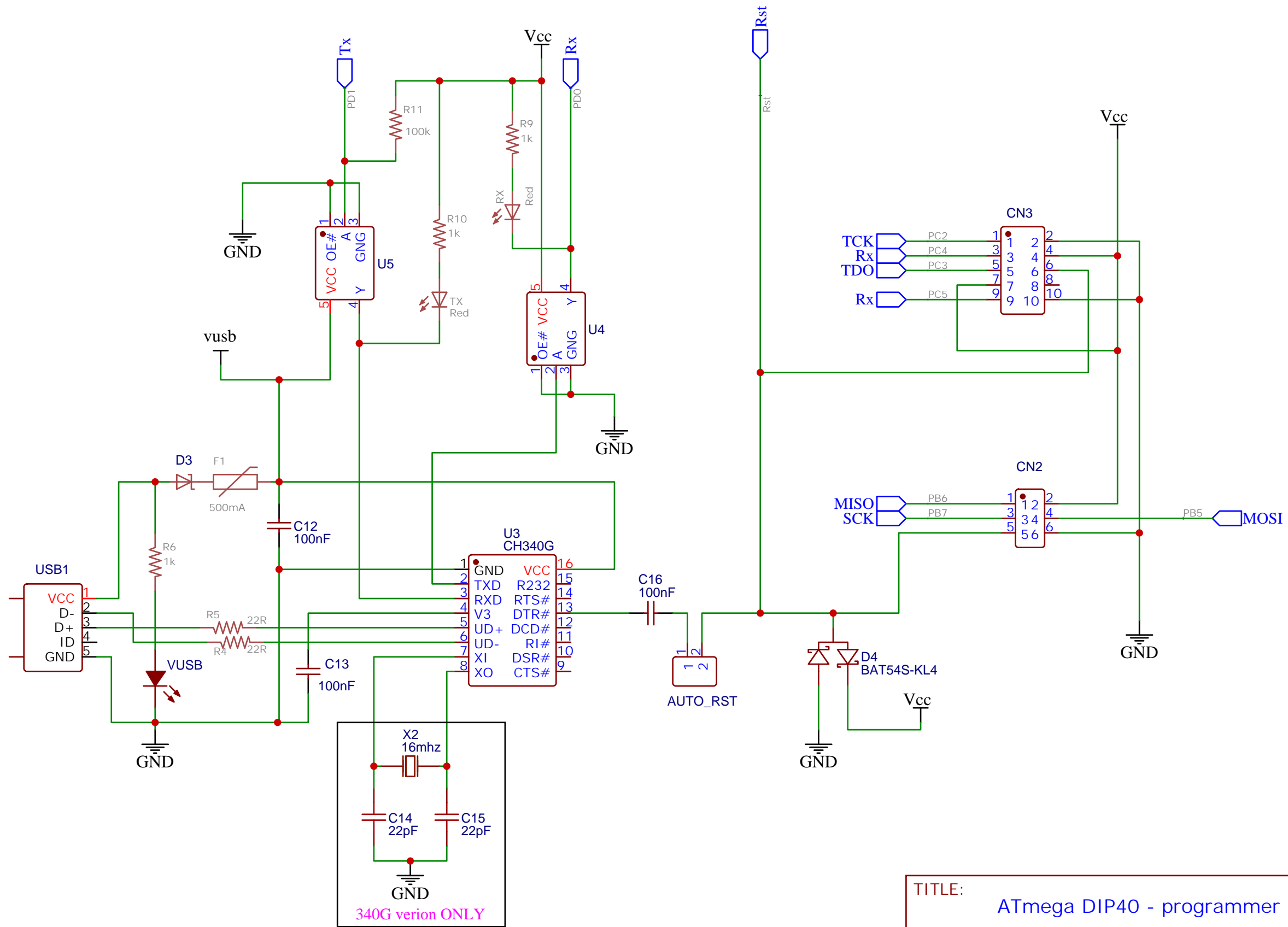


TITLE: ATmega DIP40 - Microcontroller		REV: 1.0
	Company: Your Company	Sheet: 2/3
	Date: 2023-05-12	Drawn By: Jerry Komor



TITLE: ATmega DIP40 - power		REV: 1.0
	Company: Your Company	Sheet: 1/3
	Date: 2023-05-12	Drawn By: Jerry Komor



TITLE: ATmega DIP40 - programmer ports		REV: 1.0
	Company: Your Company	Sheet: 3/3
	Date: 2023-05-12	Drawn By: Jerry Komor