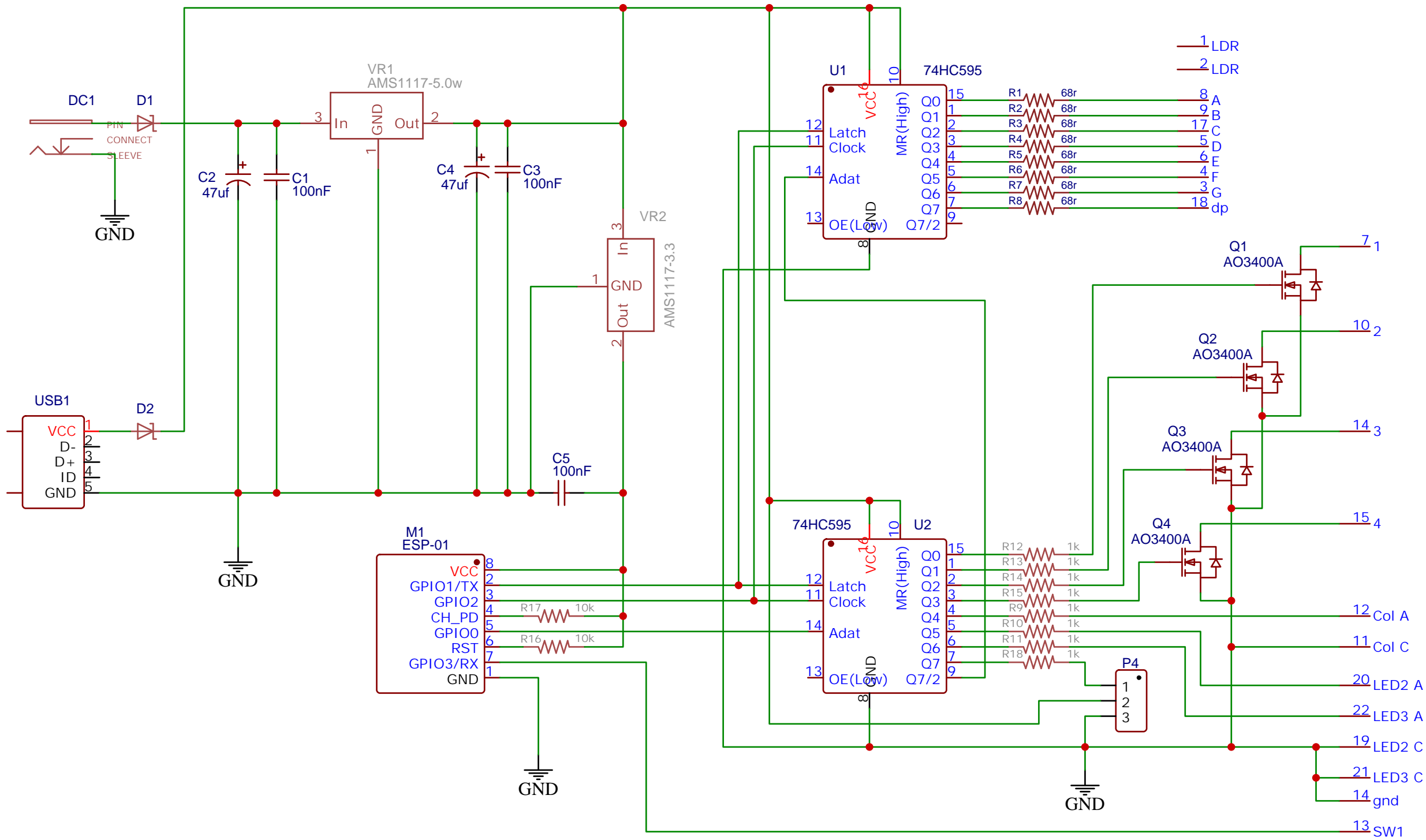
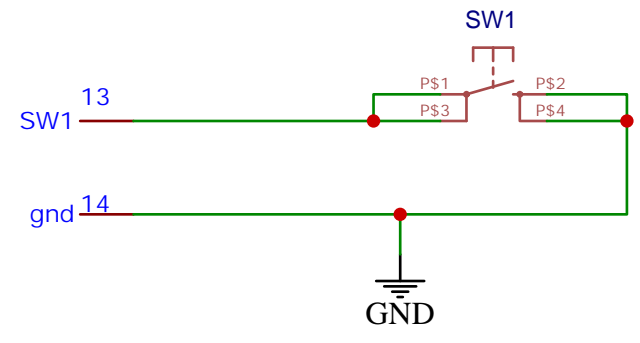
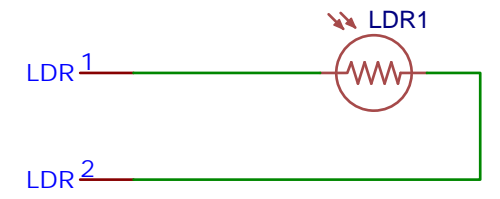
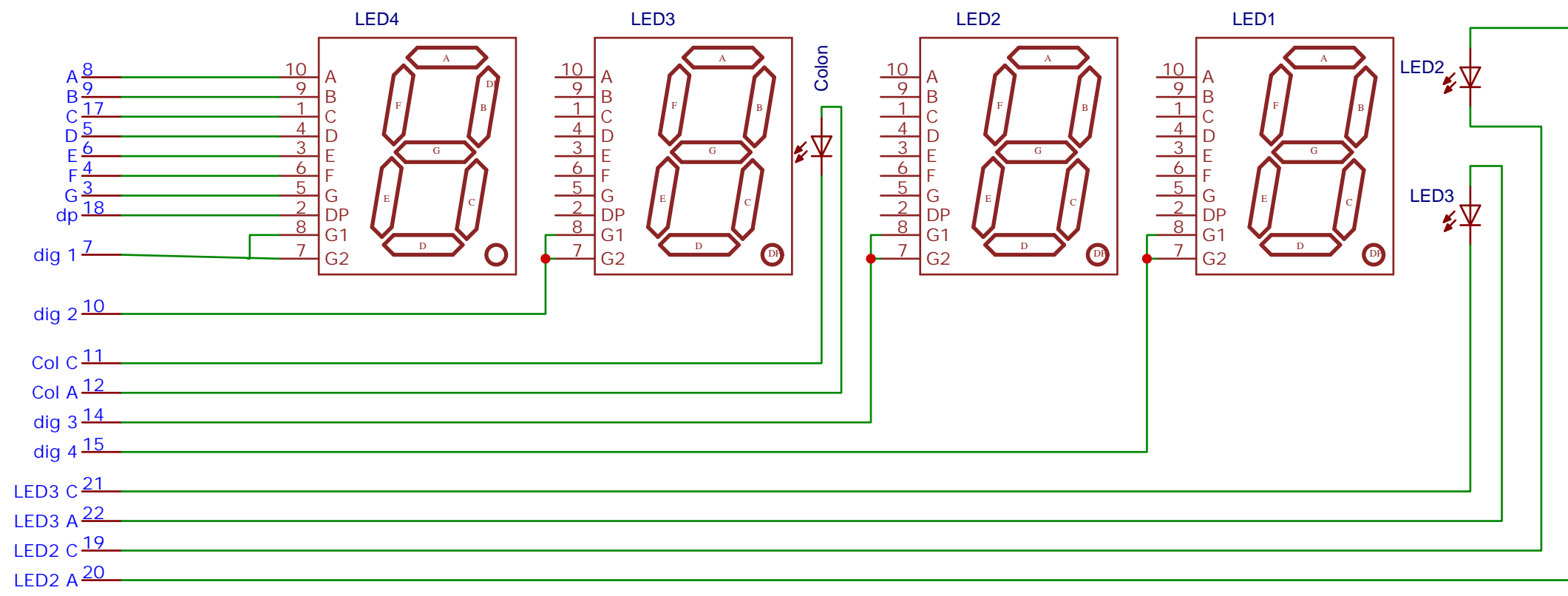


TITLE: ESP8266-01 595 clock		REV: 1.0
	Company: PCBhut.com	Sheet: 1/1
	Date: 2020-09-27	Drawn By: Jerry Komor



TITLE: ESP8266-01 595 clock		REV: 1.02
	Company: PCBhut.com	Sheet: 1/1
	Date: 2020-09-27	Drawn By: Jerry Komor



TITLE: ESP8266-01 595 clock face		REV: 1.0
	Company: PCBhut.com	Sheet: 1/1
	Date: 2020-09-27	Drawn By: Jerry Komor