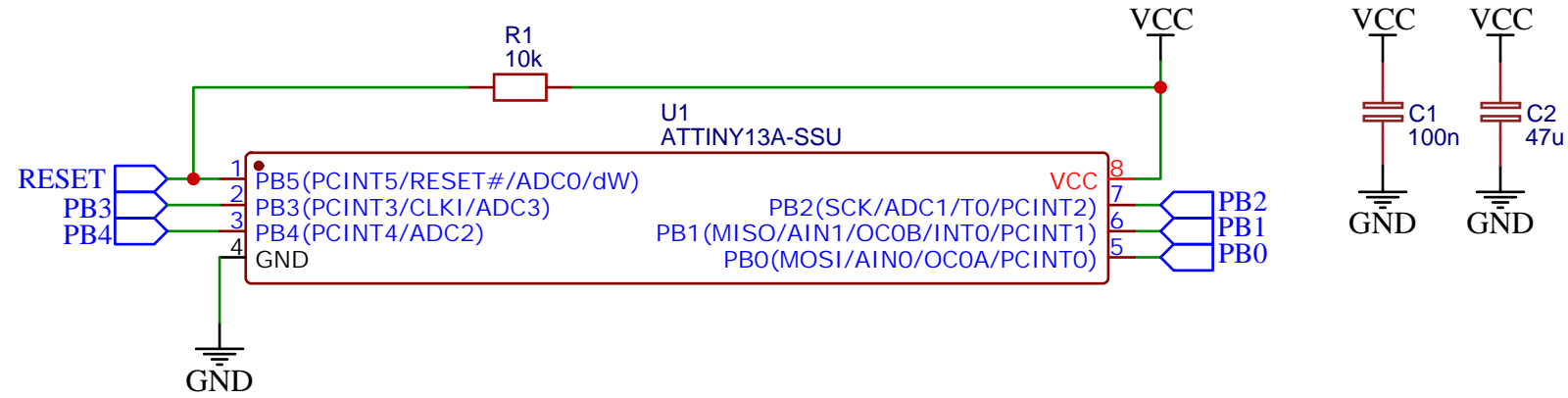
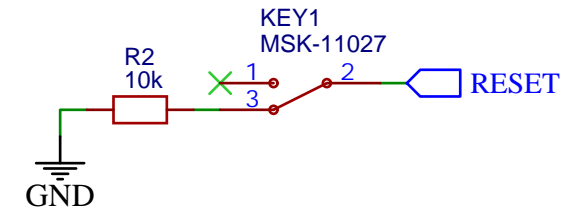


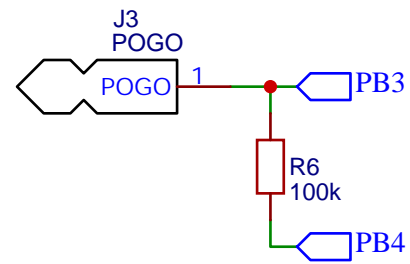
Microcontroller



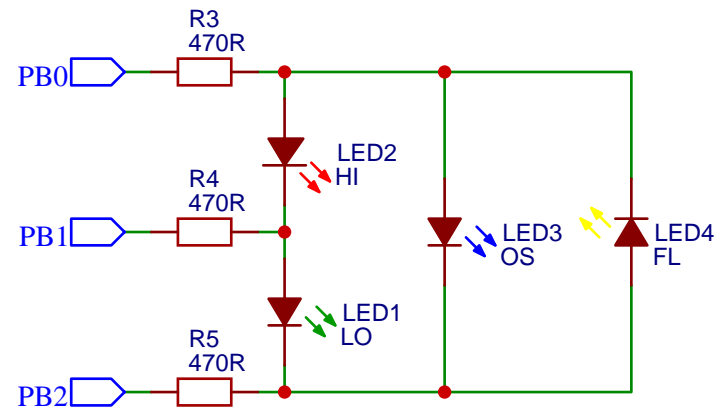
TTL/CMOS Selection Switch



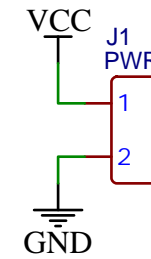
Pogo Pin Sensor



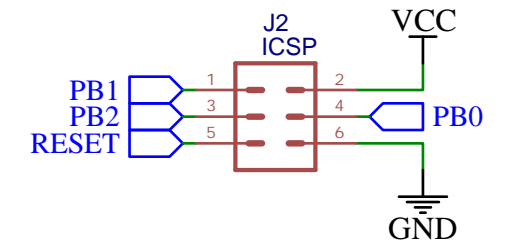
LEDs (Charlieplexing)



Power Connector



ICSP Connector



TITLE: Logic Probe 2		REV: 1.0
	Company: PCBhut.com	Sheet: 1/1
	Date: 2023-12-27	Drawn By: Jerry Komor