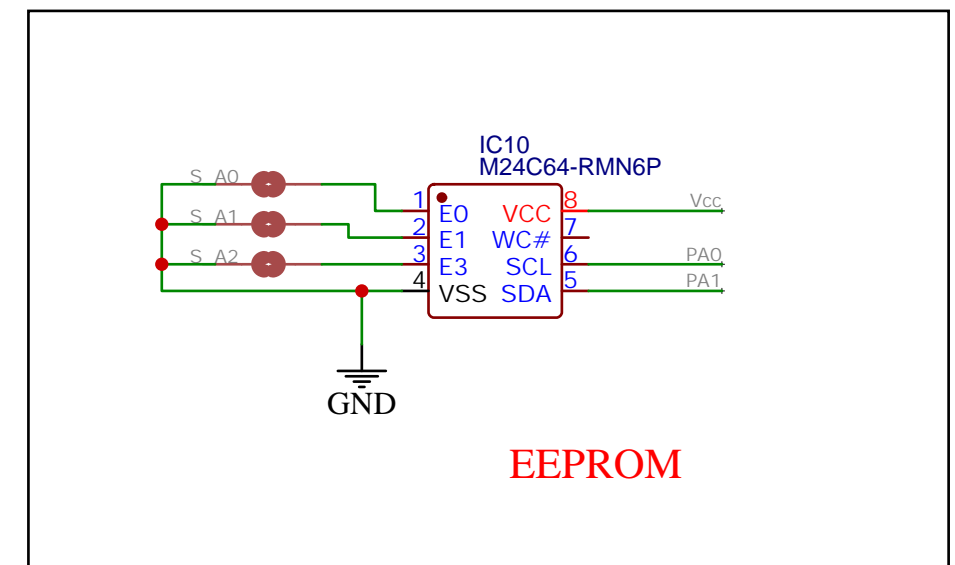
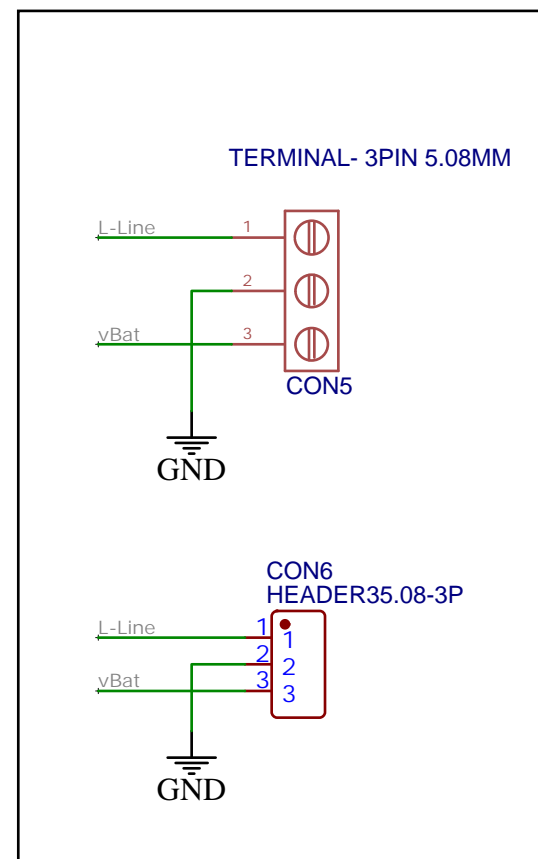
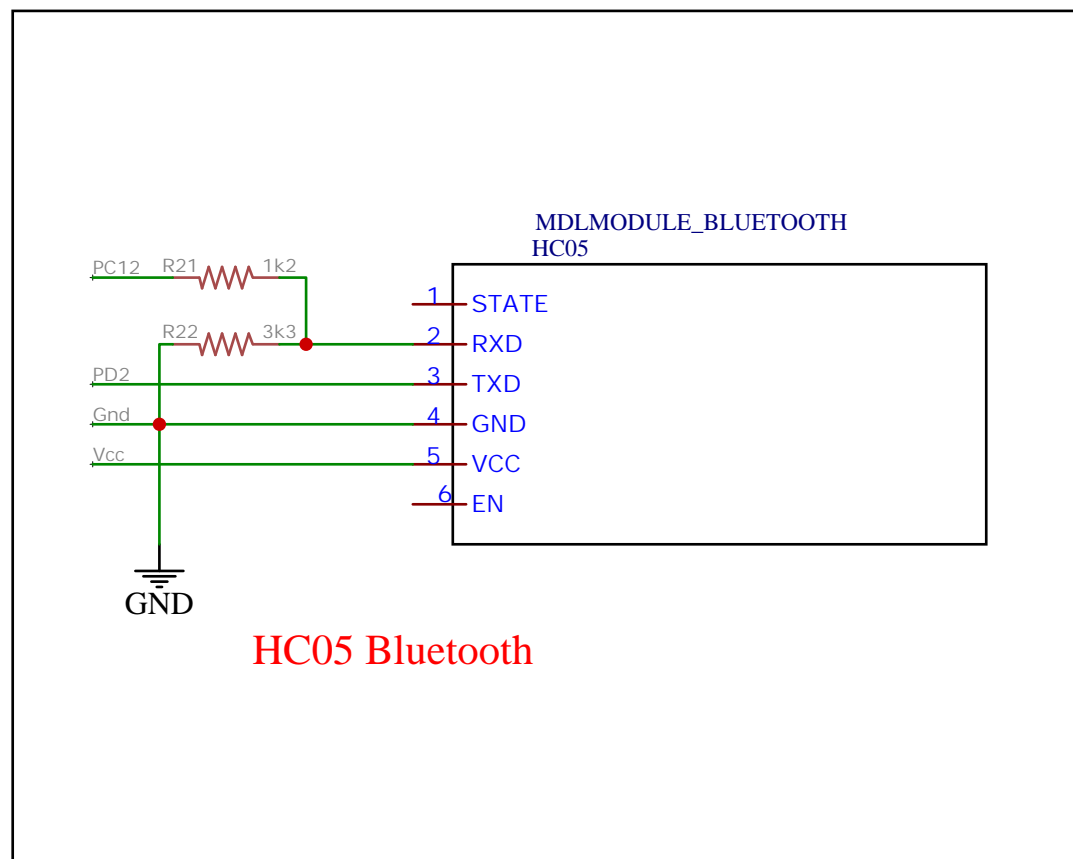
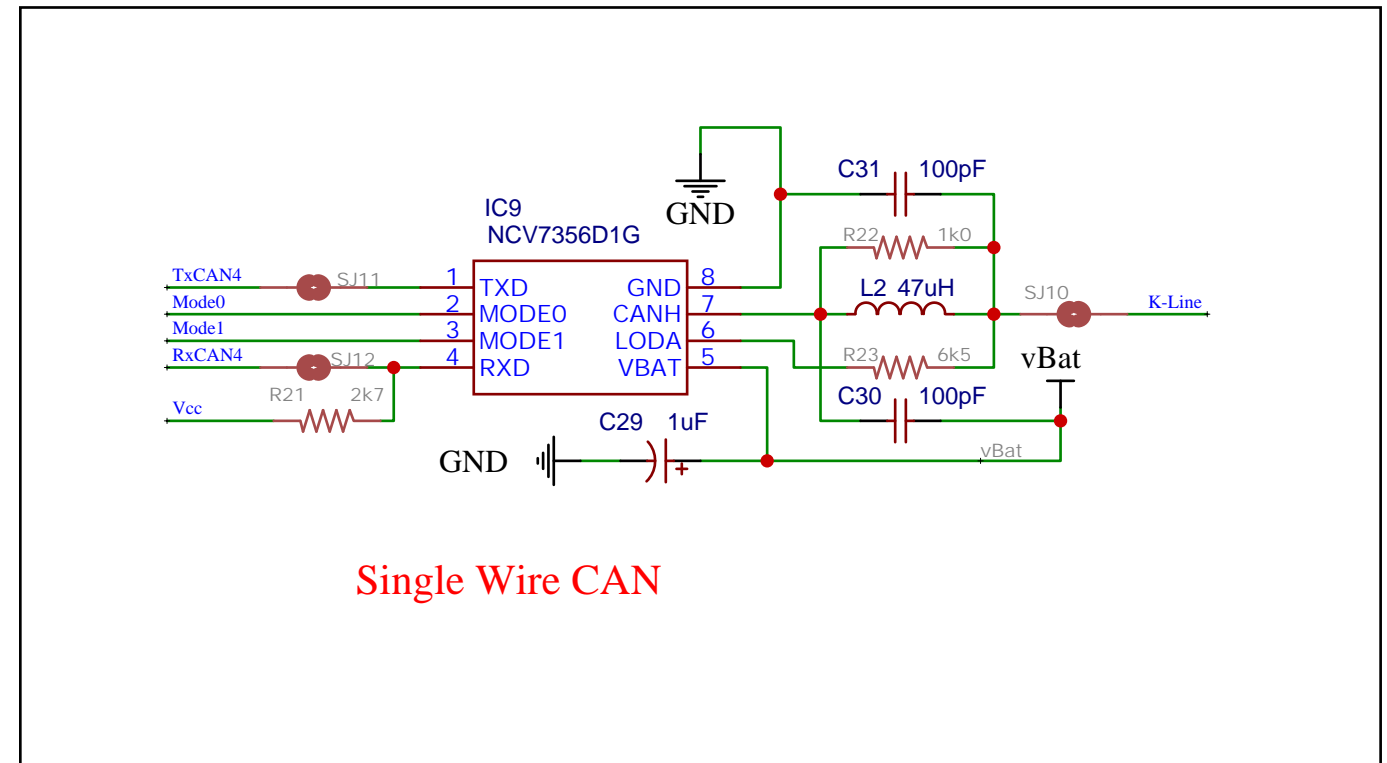
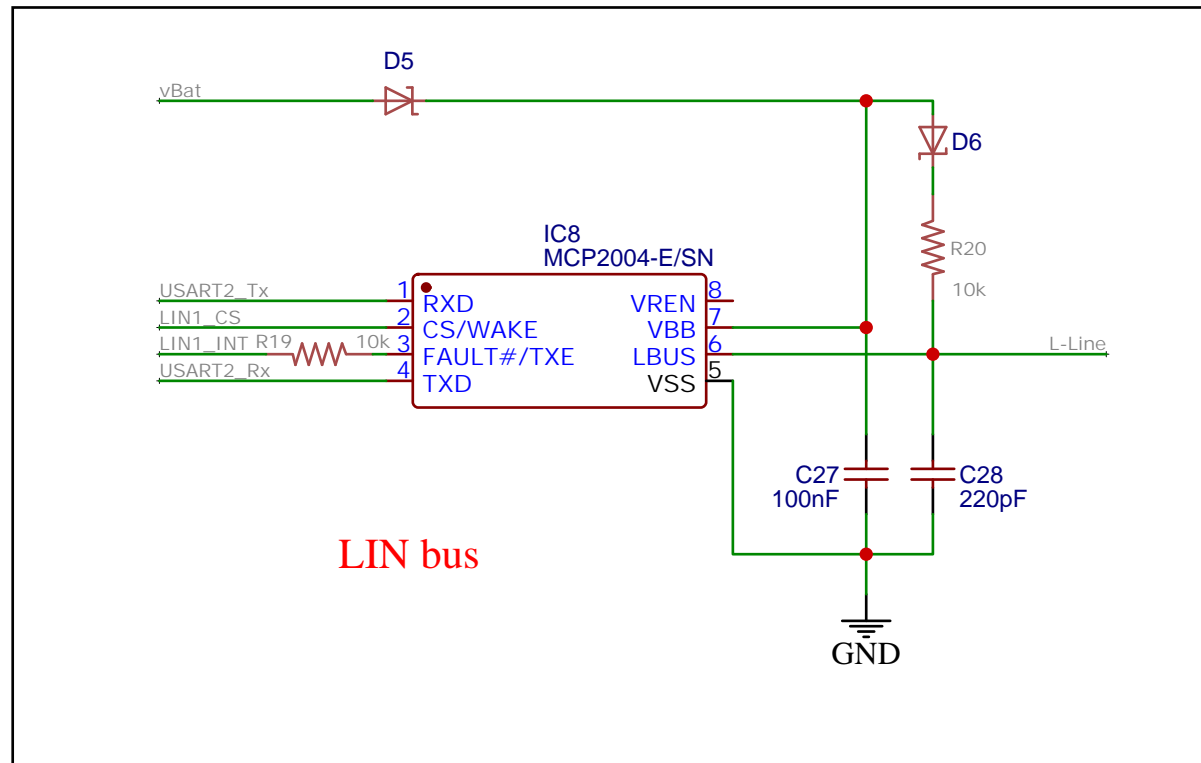


TITLE:	OBd Logger 6000	REV: 1.0
Company:	PCBhut.com	Sheet: 1/1
Date:	2023-06-26	Drawn By: Jerry Komor



TITLE: LIN bus		REV: 1.0
Company: PCBhut.com		Sheet: 1/1
Date: 2023-06-30		Drawn By: Jerry Komor