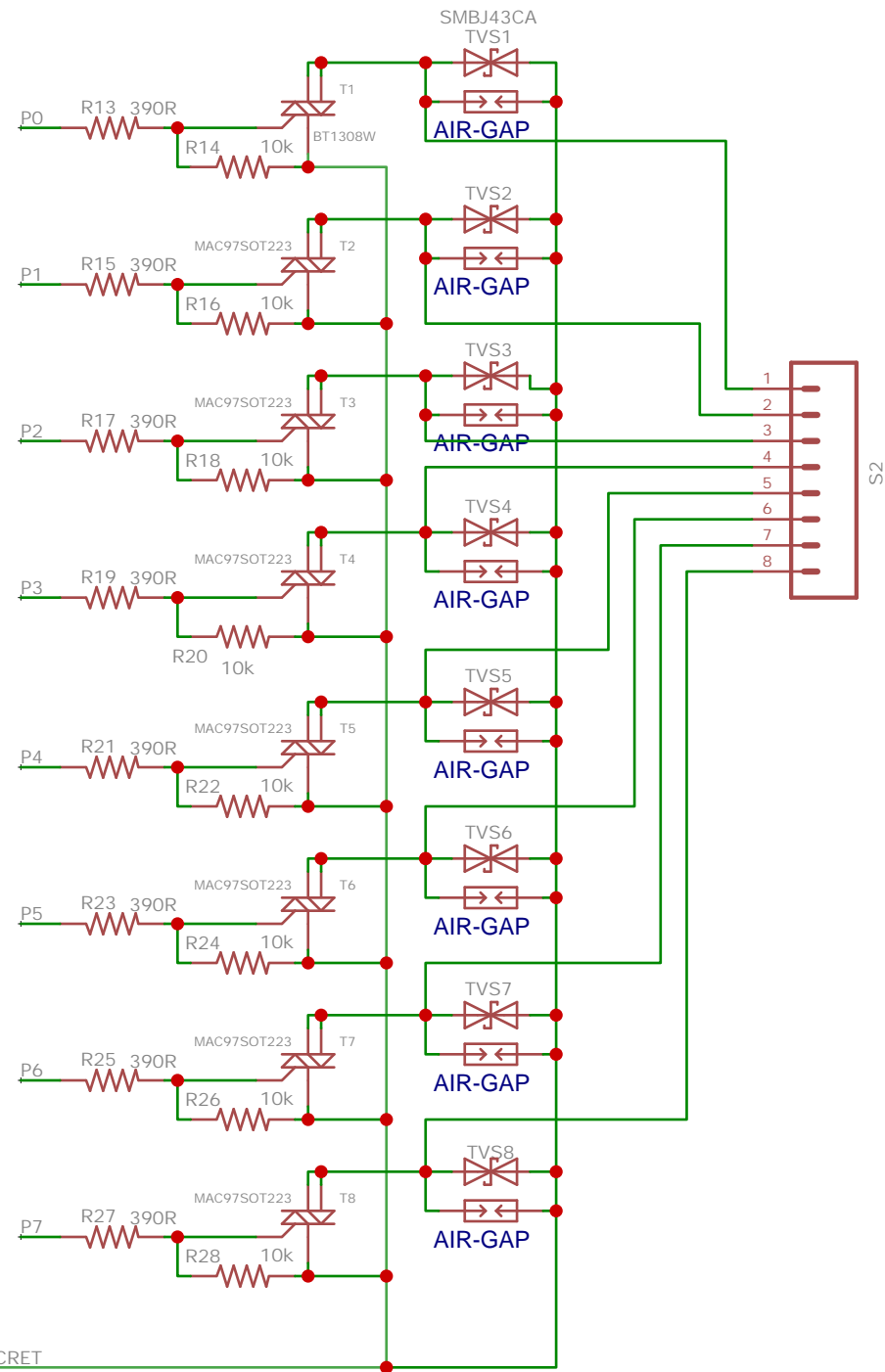
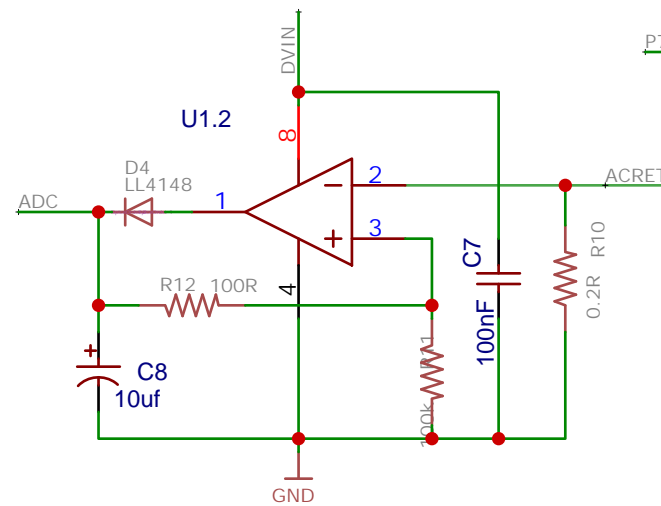
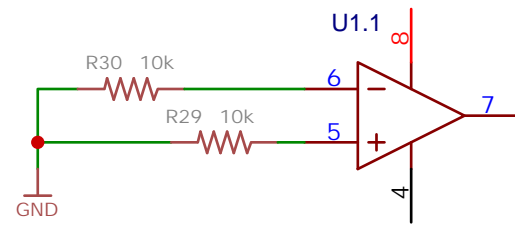


TITLE: Open Sprinkler 3.2 - Processor		REV: 1.0
Company: PCBhut.com		Sheet: 1/2
Date: 2023-05-26	Drawn By: Jerry Komor	





TITLE: OpenSprinkler 3.2 - AC driver		REV: 1.0
EasyEDA	Company: PCBhut.com	Sheet: 2/2
	Date: 2024-03-13	Drawn By: Jerry Komor