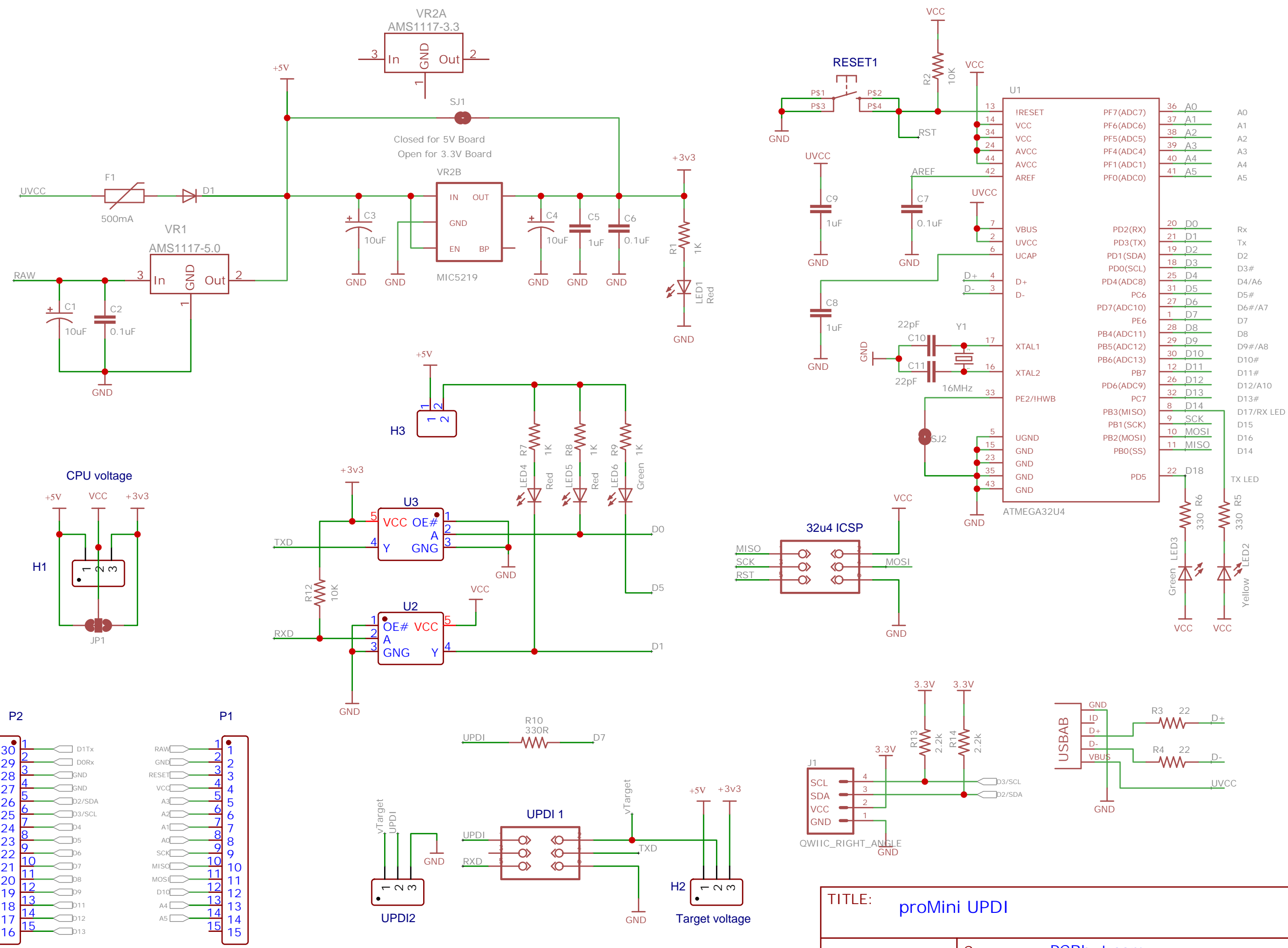


JUMPER-SMT_3_1-NC_TRACE_SIL1
JP4



P2	P1
30	1
29	2
28	3
27	4
26	5
25	6
24	7
23	8
22	9
21	10
20	11
19	12
18	13
17	14
16	15

TITLE: proMini UPDI		REV: 1.0
Company: PCBhut.com		Sheet: 1/1
Date: 2023-04-07	Drawn By: Jerry Komor	